

MATERIALS.

4x8-1/2" EXT. PLY (MAKES 2 HIVES).

1 - 2x12x8'      1 - 2x12x10' (MAKES 1 HIVE).

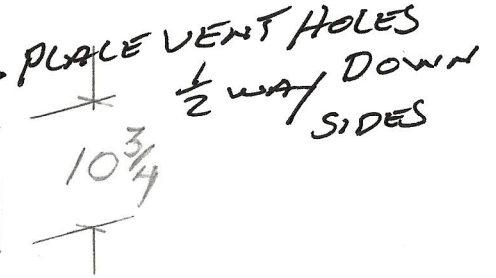
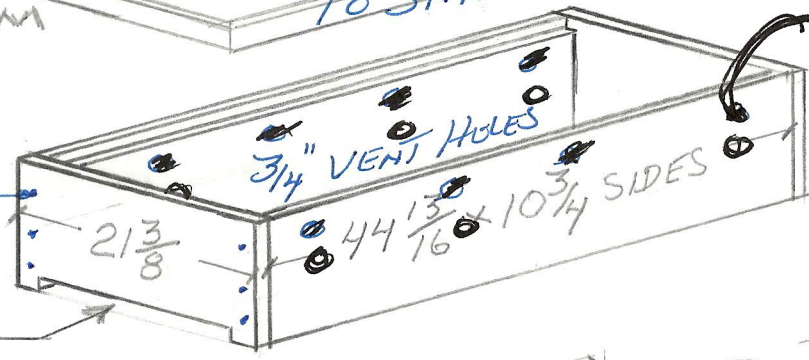
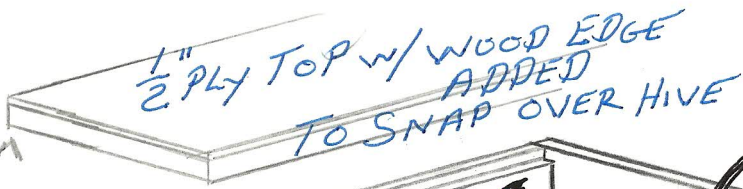
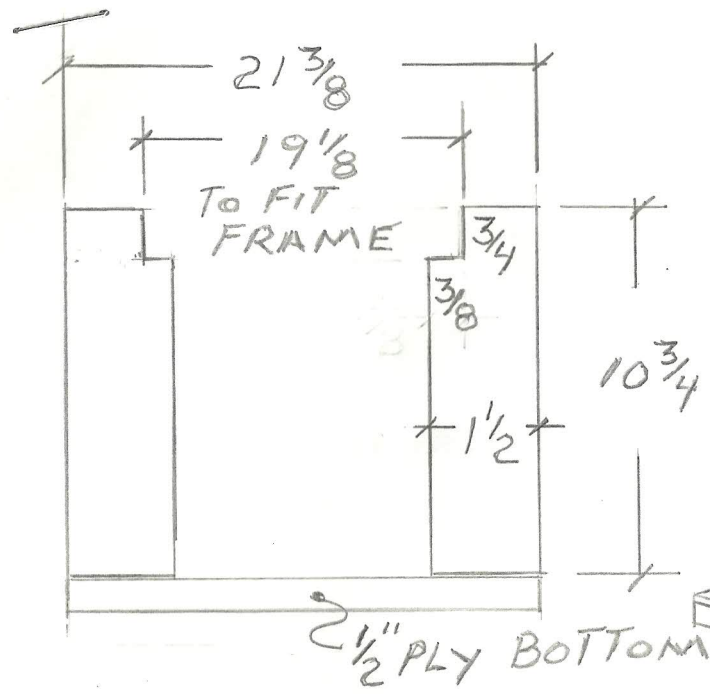
#8 SCREEN AND STAPLE GUN

36" CONTINUOUS HINGE (CUT IN HALF)

2 PCS. 1/4 PLY OR MASONITE APPROX. 16x20

3" DECK SCREWS

EXTERIOR GLUE (TITE BOND III) - NOTE: DO NOT USE EXPANDING FOAM GLUES LIKE GORILLA GLUE.



3/4 x 14 3/4 CUT OUT TO FIT STANDARD ENTRANCE REDUCER

